

GENIE[®] GPHV[™]



Quick Study

The **GPHV[™]** was designed for sampling from high velocity gas streams. The thick walled probe, which is machined from a single piece of stainless steel, has a high natural resonant frequency that allows it to withstand the destructive forces of gases flowing at high velocities. This model must be installed with a depressurized line.

Applications

- ▶ Extract a gas sample from a pipeline for use in an analyzer
 - ▶ On-line and portable analyzers
 - ▶ GC's, Mass Specs, O₂, H₂S, Moisture, and others
- ▶ Spot, composite, or continuous gas sampling in any process industry including natural gas, petrochemical, and oil refining
- ▶ High velocity gas streams

Benefits

- ▶ Helps preserve sample integrity
- ▶ Helps improve safety of personnel and equipment
- ▶ Reliable
- ▶ Durable
- ▶ Economical

Features

- ▶ Simple design
- ▶ Single-piece, machined housing - no welding
- ▶ Vibration resistant

Technical Specifications

Maximum pressure rating	4,500 psig
Maximum temperature	400 °F (204 °C)
Maximum velocity	4" & 6" probe: >100 ft/sec 10" probe: 56 ft/sec
Internal volume	4" probe: 3.62 cc 6" probe: 5.23 cc 10" probe: 8.44 cc
Port size	Outlet: 1/4" female NPT
Process connection	1/2", 3/4" or 1" male NPT
Thread-o-let requirement	1/2", 3/4" or 1" female NPT* <small>*The inner diameter of all openings in pipe wall and thread-o-let must not be less than 0.680"</small>
Wetted materials	Machined parts: 316 stainless steel / NACE compliant All other metal parts: stainless steel / NACE compliant



An ISO 9001:2008 certified company



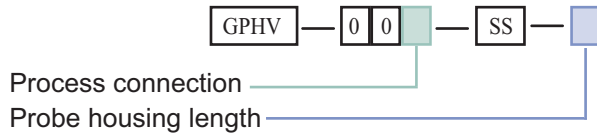
Genie[®] and GPHV[™] are trademarks or registered trademarks of A+ Corporation, LLC.
All other referenced trademarks are the property of their respective owners.

Model Numbering & Additional Part Numbers

Your model number is determined by your specific needs. See choices below.

Probe housing length	Blank = 4" insertion length	6 = 6" insertion length	10 = 10" insertion length
Process connection	0 = 1/2" NPT	3 = 3/4" NPT	4 = 1" NPT

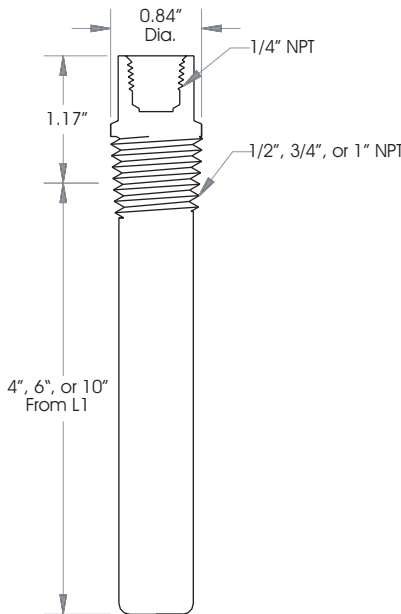
How to build the model number:



⚠ We cannot recommend specific sealing materials due to the complex nature of sample stream compositions. Temperature and pressure also may be factors.
⚠ Unless specified otherwise, the product will ship with our standard sealing materials and materials of construction stated in the technical specifications section of the corresponding Product Sheet. **⚠** Please refer to www.dupontelastomers.com for sealing material recommendations and advice. It is the user's responsibility to specify the sealing materials and other materials of construction for their application.

Dimensions

Side View



Local Distributor:

Manufacturer

A+ Corporation, LLC

41041 Black Bayou Road

Gonzales, LA 70737

Call for expert product application assistance:

Phone: (225)-644-5255 Website: www.geniefilters.com

Fax: (225)-644-3975 E-mail: sales@geniefilters.com



An ISO 9001:2008 certified company

©2010 A+ Corporation, LLC. All rights reserved.
SCC-GPHV-PS_1111